

Coil Specification (at 20 °C)

Coil Sensitivity	Nominal Voltage (VDC)	Nominal Current (mA)	Coil Resistance ($\Omega \pm 10\%$)	Power Consumption (W)	Pull-In Voltage (VDC)	Drop-Out Voltage (VDC)	Maximum Allowable Voltage (VDC)
ST-D	3	120	25	Abt.0.36	75% Maximum	5% Minimum	130%
	5	71.4	70				
	6	60	100				
	9	40	225				
	12	30	400				
ST-T	24	15	1,600	Abt.0.2	75% Maximum	5% Minimum	130%
	3	67	45				
	5	40	125				
	6	33.3	180				
	9	22.5	400				
ST-L	12	16.7	720	Abt.0.15	80% Maximum	5% Minimum	130%
	24	8.3	2,880				
	3	50	60				
	5	29.9	167				
	6	25.0	240				
	9	16.7	540				
	12	12.5	960				

Ordering Information

ST - SH - 2 12 D

Coil Type:

D: Standard DC Coil

T: Medium Sensitivity DC Type

L: High Sensitivity DC Type

Coil Voltage:

03: 3V, **05:** 5V, **06:** 6V, **09:** 9V, **12:** 12V, **24:** 24V

Number of Pole:

1: One Pole

Type of Sealing:

SS: Flow Solder Type

SH: Plastic Sealed Type

Type:

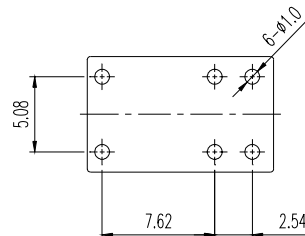
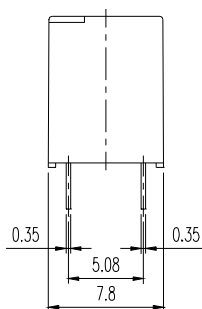
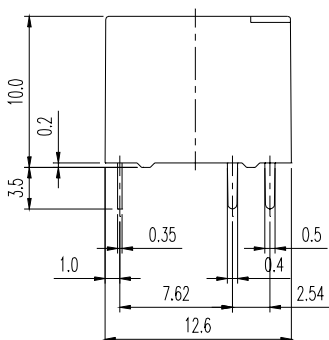
ST

Classification

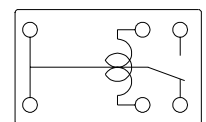
Model	ST		
Coil Type	Standard DC Coil	Medium Sensitivity DC Type	High Sensitivity DC Type
Flow Solder Type	ST-SS-1□□D	ST-SS-1□□T	ST-SS-1□□L
Plastic Sealed Type	ST-SH-1□□D	ST-SH-1□□T	ST-SH-1□□L

Dimension

ST-SS/SH



BOTTOM VIEW



BOTTOM VIEW