



**GP**

<b>TYPICAL APPLICATIONS</b>	Vacuum and steam cleaners
<b>FUNCTIONS</b>	■ DPST, illuminated or not
<b>CYCLE No.</b>	50.000
<b>CUT OUT</b>	19x13 mm
<b>AMBIENT TEMPERATURE</b>	125 °C
<b>GWT</b>	850 °C
<b>GWT NO FLAME (&lt;2sec)</b>	750 °C on demand



**G P**

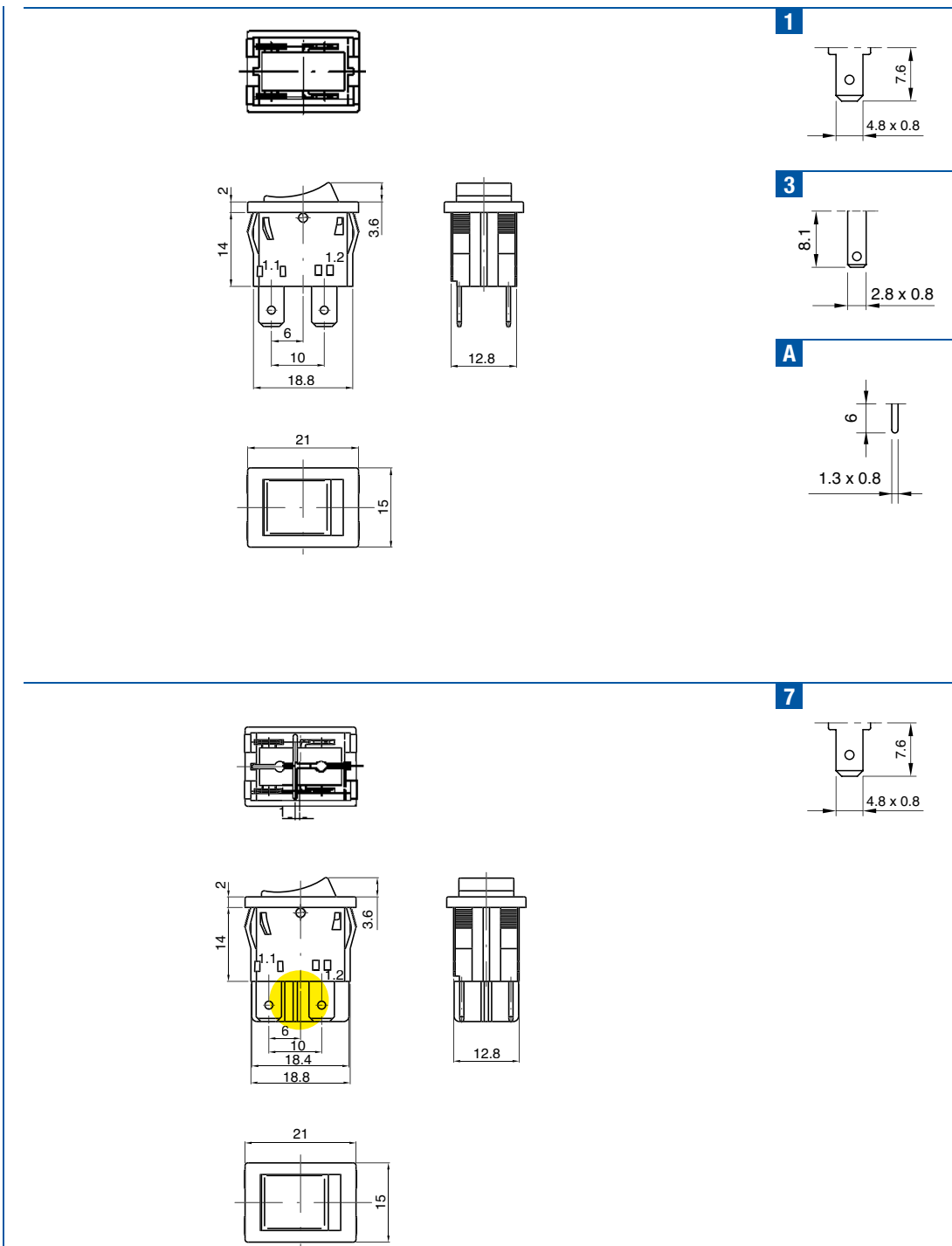
**DRAWING**

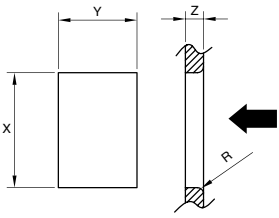
**?**

**TERMINAL**



WATERPROOF CAP





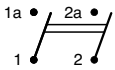
Z	Y	X
0,70 ... 1,25	13,0 ±0,1	19,1 ±0,1
1,25 ... 2,0	13,0 ±0,1	19,4 ±0,1
2,0 ... 3,0	13,0 ±0,1	19,7 ±0,1

TERMINAL	FUNCTION	RATING	BODY COLOUR	ROCKER COLOUR	MARKING COLOUR	MARKING
G	P					
M	0	0				

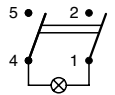
?	?	?	?	?	?	M	0	0
---	---	---	---	---	---	---	---	---

**FUNCTION      RATING      BODY COLOUR      ROCKER COLOUR      MARKING COLOUR      MARKING**

**2**



**8**



**H**

12 A / 250 VAC  
 6 (6) A / 250 VAC  
 2 / 120 A - 250 VAC  
 5 (5) A / 250 VAC - 5E4  
 T125/55 °C  
 EN 61058

15 A / 125 VAC  
 12 A / 250 VAC  
 T65 °C  
 UL 1054

**1**

6 (6) A / 250 VAC  
 T125 °C  
 EN 61058

**1**

black

**2**

white

**X**

custom

**1**

black

**2**

white

**9**

red

**ILLUMINATED**

**G**

red

**E**

green

**X**

custom

**0**

none

**1**

black

**2**

white

**8**

red

**X**

custom

**0**



**1**



**4**



**6**



**R**



**X**

