

**6mm Semi-Fixed Carbon Potentiometer**

**SH-655MCL T.B.**

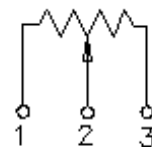
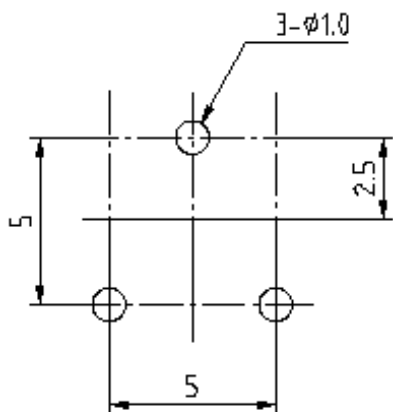
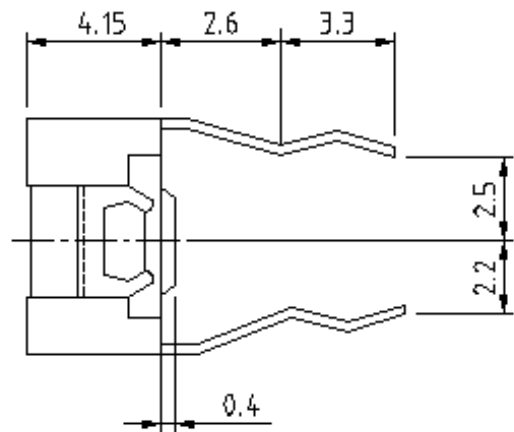
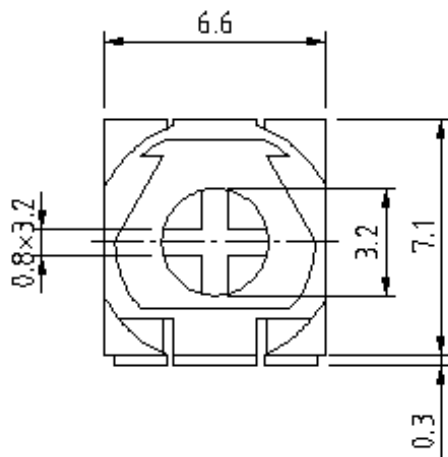


**Part Number**

**SH-655MCL - 50K (T.B.)**

Resistance Value      Carbon

**Dimensions**



## 6mm Carbon Semi-Fixed Potentiometer

### Electrical Characteristics

1. Resistance Value	100 ~ 1 M
2. Tolerance Rating	±30 %
3. Resistance Taper	B Curve (Linear)
4. Max. Power Rating	0.1W ( at 50 )
5. Max. Working Voltage	50 V DC(>500k 25V DC)
6. Contact Resistance Variation	6 % Max.
7. Residual Resistance	Less than 1% of nominal resistance value
	R 1K ⇒ 30 Max.
	R > 1K ⇒ 3 % Max.

### Mechanical Characteristics

1. Rotation Angle	210±20 degree
2. Rotation Torque	20 ~ 250 gf-cm
3. Stopper Strength	Front ⇨ 750 gf-cm
	Rear ⇨ 350 gf-cm

### Reliability Specification

1. Operation life	20±2 Cycles Resistance Value±15 %
2. Temperature Characteristics	+5 % to -20% @ 70 5 Hr
3. Humidity Characteristics	+20% to -5% @ 40 90 ~ 95 %RH without load
4. Resistance To Soldering Heat	±3% @ pass 300 3sec.
	@ Without any poor contact
5. Working Temperature	- 10 ~ 70
6. Temperature Cycles	±5 % @ without load : -10 70 30min/ 5 cycles 2 hours after.