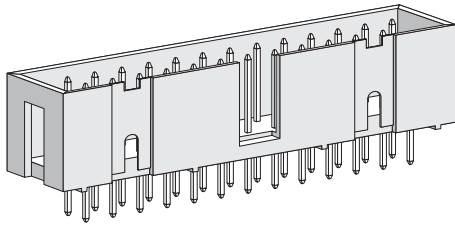
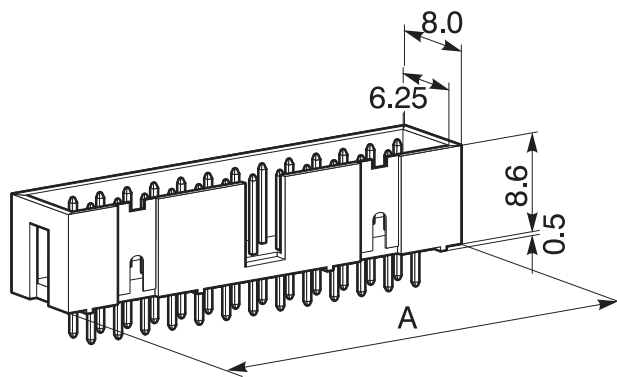


# BOX HEADER, STRAIGHT PITCH 2.54x2.54mm



Contacts: Copper alloy  
 Finish: RL1-RL3: gold plated  
 RL4: tin plated  
 Insulator: PBT 20% GF  
 Withstanding voltage: 1000V DC or AC peak  
 Current rating: 1.0A  
 Contact resistance: 20mOhm  
 Insulation resistance: 5000MOhm at 100V  
 Life: RL1: 500 mating cycles  
 RL2: 250 mating cycles  
 RL3: 50 mating cycles  
 RL4: 50 mating cycles

RoHS Compliant



No. of Contacts	10	14	16	20	26	34	40	50
A [mm]	19.6	24.6	27.2	32.2	39.9	50.0	57.7	70.4

## SPBHxxS-3000

not used  
 not used  
 Pin length: 0 (Standard)  
                   1 = 4.5mm  
 Requirement level: 1 = RL1 = gold plated, 500 mating cycles  
                           2 = RL2 = gold plated, 250 mating cycles  
                           3 = RL3 = gold plated, 50 mating cycles  
                           4 = RL4 = tin plated, 50 mating cycles  
 Style: S = Straight  
 No. of contacts

