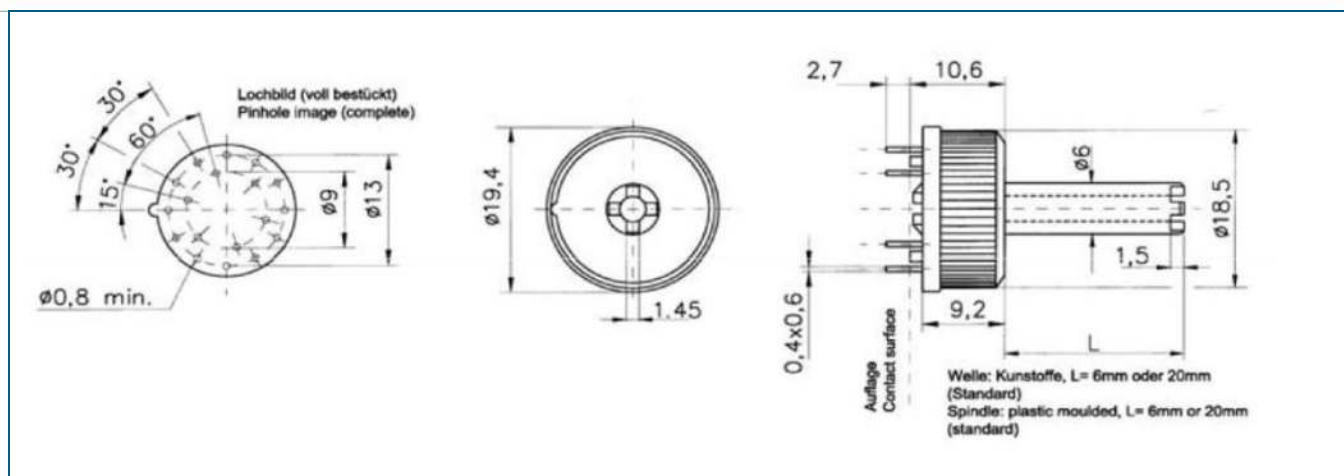
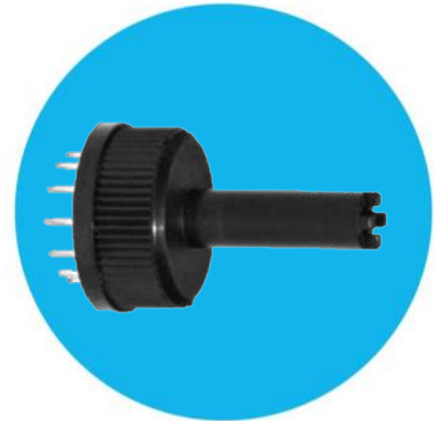


Rotary knob switches

Serie 419

Type 419

Basic design: width 19.4 mm, plastic moduled spindle diameter 6 mm



Technical data

Switch resistance initial value	$\leq 25 \text{ m}\Omega$	Switching mode	Non shorting (white bottom plate), shorting (black bottom plate)
Switch resistance after 15 000 cycles	$\leq 50 \text{ m}\Omega$	Number of wafers	1 / single wafer
Insulation resistance	$1 \times 10^9 \Omega$	Indexing angle	30°
Test voltage	1 kV- / 1 kV DC	Stops	Fixed or without stop
Switching voltage	Max. 150 V DC / AC	Operating torque	2 - 4.5 Ncm
Switching current	Max. 130 mA, Ag plated	Solder terminals	For printed circuit
Switching power	Max. 5 VA, Ag plated	Contact material	Silver plated copper alloy
Steady current at 20 °C ambient temperature	3 A	Insulation material	Plastic
Operating life at maximum power	$\geq 15\,000$ cycles	Spindle	Plastic, L = 6 or 20 mm (Standard)
Operating life no load	$\geq 20\,000$ cycles	Switching combinations (see page 2)	1 x 2 to 1 x 12; 2 x 2 to 2 x 6; 3 x 2 to 3 x 4; 4 x 2 to 4 x 3; 6 x 2
Capacity between two contacts	$\leq 3 \text{ pF}$		

General Note This datasheet does not give any information on product availability. The information given is just meant to describe the product and is not to be considered as guaranteed characteristics in the legal sense. All products are subject to design changes in the interest of further technical development.

Copyright: AB Elektronik GmbH (GER) ▪ info@abelektronik.de ▪ www.abelektronik.com