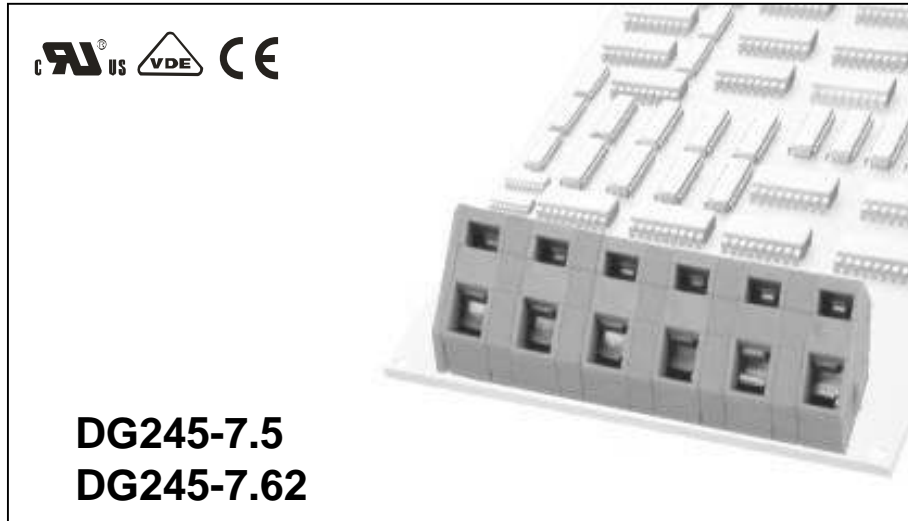


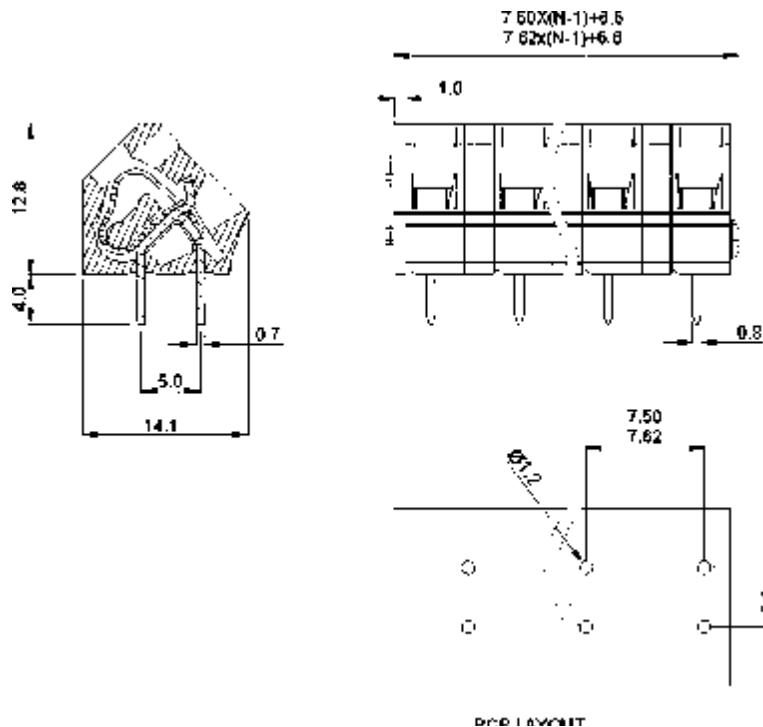


DEGSON ELECTRONICS CO., LTD.

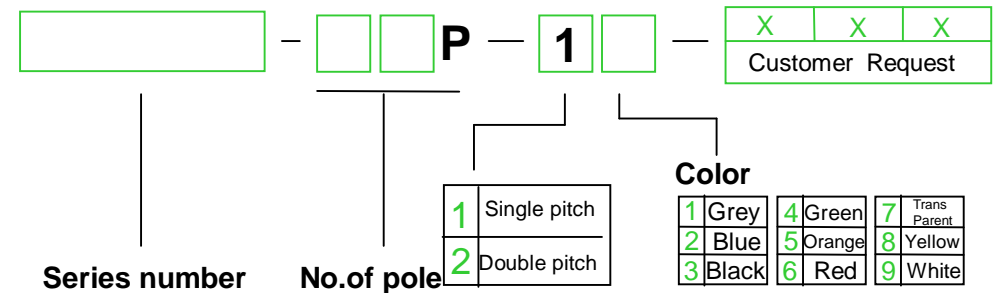
Product Specification



Approval		
Electrical		
Standard	UL	IEC
Rated voltage	300V	750V
Rated current	15A	17A
Wire range	28-12AWG	0.2-2.5mm ²
Withstanding voltage	AC3000V/1Min	
Mechanical		
Ambient temperature	-40°C ~ +105 °C	
Strip length	5-6mm	
Dimensions		
Pitch	7.5mm (.295") 7.62 (.300")	
Poles	1P-XXP	
Material		
Housing	PA66,UL94V-0	
Pin header	Phosphor bronze, Tin plated	
Wire guard	Stainless steel	



HOW TO ORDER :



	DEGSON ELECTRONICS CO., LTD.
	NAME DG245-7.5, DG245-7.62