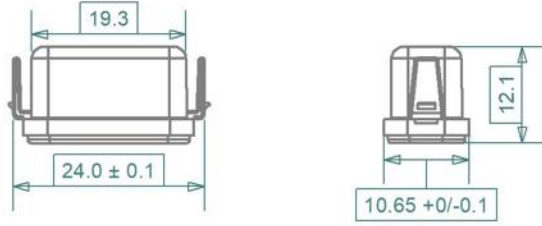
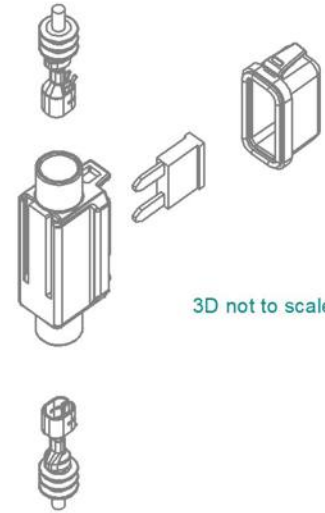
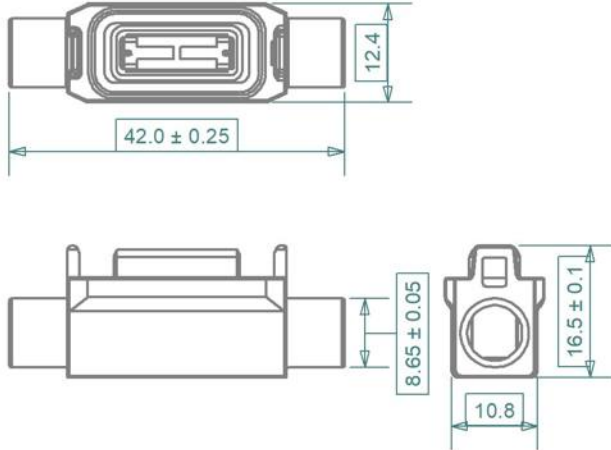


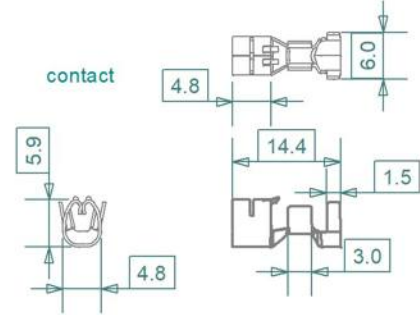
cover: HLP7305



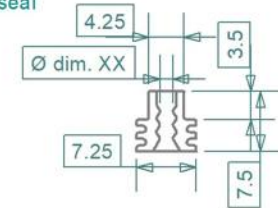
body: H7301



contact



wire seal



| Cable seal details |         |
|--------------------|---------|
| iMaXX ref.         | dim. XX |
| S682028            | 1.60    |
| S682835            | 2.40    |
| S681620            | 1.25    |

| iMaXX ref. | Description  | Material      | Note                 |
|------------|--|---------------|----------------------|
| H7301      | single holder  | PA 6 GF 30    | black                |
| HLP7305    | clear cover  | PC            | transparent          |
| CCS150FR   | contact 1.0-2.5mm <sup>2</sup>   | CuZn33        | Sn plated, reeled    |
| S681620    | cable seal, violet   | LSR, 50 shore | HD 6.8mm, ø1.6-2.0mm |
| S682028    | cable seal, green  | LSR, 50 shore | HD 6.8mm, ø2.0-2.8mm |
| S682835    | cable seal, gray   | LSR, 50 shore | HD 6.8mm, ø2.8-3.5mm |
| iMaXX ref. | Description  |               |                      |
| H7325      | assembled fuse holder, 1,5mm <sup>2</sup> black wire ± 130mm each side |               |                      |
| H7335      | assembled fuse holder, 2,5mm <sup>2</sup> red wire ± 130mm each side   |               |                      |

Notes: fuse holder suited for iMaXX miniOTO blade fuse series F7000 and F7900(LED) up to 30A  
Contact suitable for wire diameters 1.0 - 2.5mm<sup>2</sup>

| Revisions |       |                            | Date       | Appr.                                     |
|-----------|-------|----------------------------|------------|---|
|           | Date  | Type                       | Drawn      | 05/12 GRH                                 |
| a         | 03/13 | Updated cable dimensions   | Checked    | 09/21 BE                                  |
| b         | 09/21 | Updated CCS150FR materials | Standards  |   |
|           |       |                            | Approved   | 09/21 AdH                                 |
|           |       |                            | Scale      | 1 : 1                                     |
|           |       |                            | Projection | Tolerance ± 0.2 mm unless otherwise noted |
|           |       |                            |            |   |



|                |   |   |   |   |          |
|----------------|---|---|---|---|----------|
| Title          | H7300 series, miniOTO blade fuse holder |   |   |   |          |
| Drawing type   | schematic                               |   |   |   |          |
| Drawing number | H7300 drawing 1                         |   |   |   |          |
| Sheet          | 1 of 1                                  |   |   |   |          |
| Layers / Sheet | 0                                       | 1 | 2 | 6 | 9 11     |
|                |   |   |   |   | Sheet 01 |