



FEATURES:

- RoHS compliant
- Power modules for PCB mounting
- V-out trim and On/Off control
- Synchronous-rectifier Topologies
- Regulated output
- Low ripple and noise
- 2:1 input range

Models

Single output

Model	Input Voltage (V)	Output Voltage (V)	Output Current max (A)	Isolation (VDC)	Efficiency (%)
AM40U-1212SCZ	9-18	12	3.33	1500	84
AM40U-1215SCZ	9-18	15	2.66	1500	85
AM40U-1224SCZ	9-18	24	1.66	1500	85
AM40U-2412SCZ	18-36	12	3.33	1500	85
AM40U-2415SCZ	18-36	15	2.66	1500	86
AM40U-2424SCZ	18-36	24	1.66	1500	86
AM40U-4801SCZ	36-75	1.8	8	1500	76
AM40U-4802SCZ	36-75	2.5	8	1500	82
AM40U-4803SCZ	36-75	3.3	8	1500	84
AM40U-4805SCZ	36-75	5	8	1500	86
AM40U-4812SCZ	36-75	12	3.33	1500	83
AM40U-4815SCZ	36-75	15	2.66	1500	83
AM40U-4824SCZ	36-75	24	1.66	1500	84

Dual output

Model	Input Voltage (V)	Output Voltage (V)	Output Current max (A)	Isolation (VDC)	Efficiency (%)
AM40U-1205DCZ	9-18	±5	±4	1500	83
AM40U-1212DCZ	9-18	±12	±1.66	1500	83
AM40U-1215DCZ	9-18	±15	±1.32	1500	82
AM40U-2405DCZ	18-36	±5	±4	1500	83
AM40U-2412DCZ	18-36	±12	±1.66	1500	84
AM40U-2415DCZ	18-36	±15	±1.32	1500	83
AM40U-4805DCZ	36-75	±5	±4	1500	83
AM40U-4812DCZ	36-75	±12	±1.66	1500	84
AM40U-4815DCZ	36-75	±15	±1.32	1500	83

Triple output

Model	Input Voltage (V)	Output Voltage (V)	Output Current max (A)	Isolation (VDC)	Efficiency (%)
AM40U-12512TCZ	9-18	5/±12	6/±0.4	1500	80
AM40U-12515TCZ	9-18	5/±15	6/±0.3	1500	80
AM40U-24512TCZ	18-36	5/±12	6/±0.4	1500	80
AM40U-24515TCZ	18-36	5/±15	6/±0.3	1500	80
AM40U-48512TCZ	36-75	5/±12	6/±0.4	1500	80
AM40U-48515TCZ	36-75	5/±15	6/±0.3	1500	80

Input Specifications

Parameters	Conditions	Typical	Maximum	Units
Voltage ranges		9-18 18-36 36-75		VDC
Filter		π (Pi) Network		
Remote On/Off Control	On	1 ~ 5		VDC
	Off	0 ~ 0.4		VDC

Isolation Specifications (continued)

Parameters	Conditions	Typical	Maximum	Units
Rated voltage		1500		VDC
Resistance		> 1000		MOhm
Capacitance		1000		pF

Output Specifications

Parameters	Conditions	Typical	Maximum	Units
Voltage accuracy			±2	%
Short Circuit protection	Auto recovery	Hiccup		
Over voltage protection		Zener diode clamp protection		
Over load protection	Auto recovery	Works 120% of rating		%
Line voltage regulation (Single)	HL-LL	±0.5		%
Line voltage regulation (Dual)	HL-LL	±0.5		%
Line voltage regulation (Triple)	HL-LL	±1/±5		%
Load voltage regulation (Single)	10-100%	±1		%
Load voltage regulation (Dual)	10-100%	±3		%
Load voltage regulation (Triple)	10-100%	±3/±5		%
Temperature coefficient		±0.02		%/°C
Ripple			0.2% Vout + 20mV max	Vp-p
Noise			0.5% Vout + 50mV max	Vp-p

General Specifications

Parameters	Conditions	Typical	Maximum	Units
Switching frequency	Single output	400		KHz
	Dual output	200		KHz
	Triple output	200		KHz
Operating temperature	With derating above 40°C		-25 to +70	°C
Storage temperature			-55 to +105	°C
Case temperature			95	°C
Cooling	Free air convection			
Humidity	Non condensing		95	%
Case material		Nickel coated copper, non conductive base		
Weight		70		g
Dimensions	Tolerance ±0.5mm	2.0 x 2.00 x 0.45 inches	50.8 x 50.8 x 11.4 mm	
MTBF		> 550 000 hrs (MIL-HDBK -217F, Ground Benign, t=+25°C)		

Safety Specifications

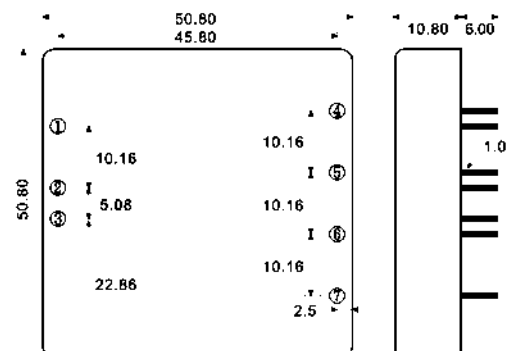
Standards

Agency Approvals	CE (Pending)
Safety	EMI: EN 55022 class A

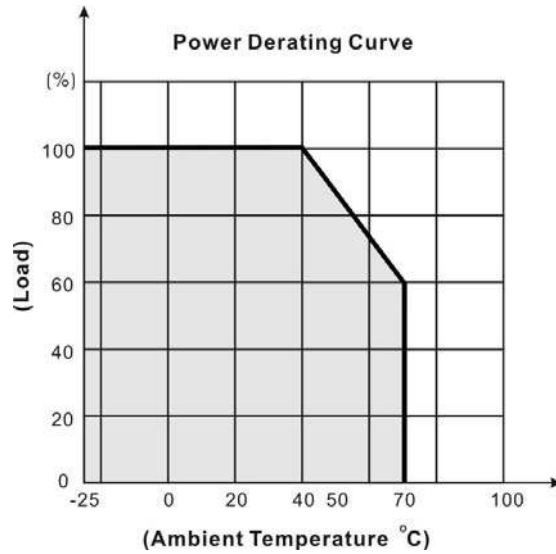
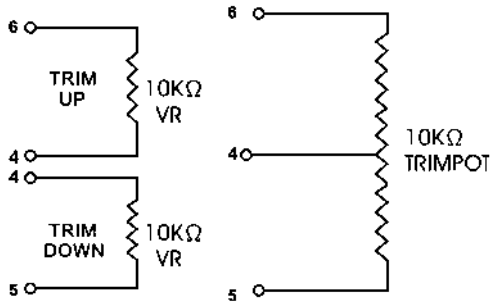
Pin Out Specifications

Pin #	Single	Dual	Triple
1	On/Off Control	On/Off Control	On/Off Control
2	-V Input	-V Input	-V Input
3	+V Input	+V Input	+V Input
4	Trim	Trim	-V Output
5	-V Output	-V Output	Common
6	+V Output	Common	+5V Output
7	N.C.	+V Output	+V Output

Dimensions

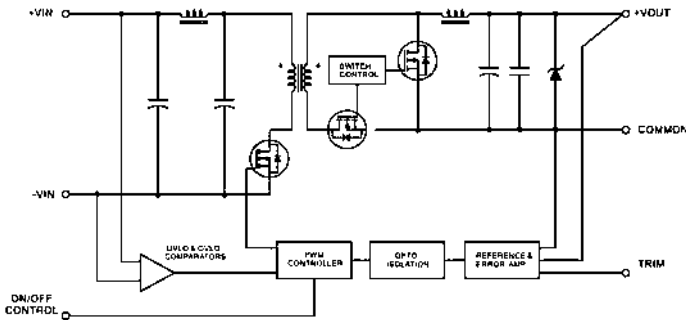


Trimming

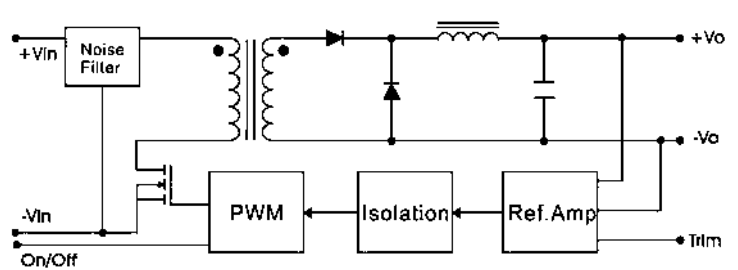


Block diagram
Single Output

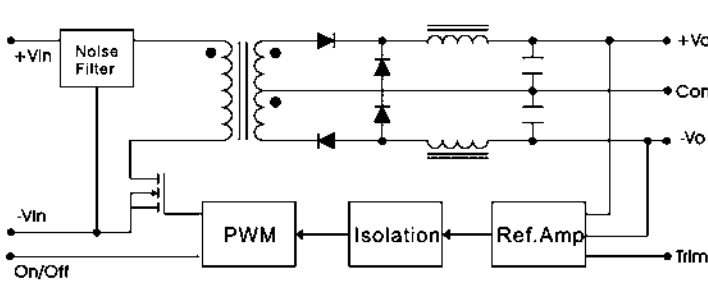
Output Voltage (V.DC) : 1.8V, 2.5V, 3.3V, 5V



Output Voltage (V.DC) : 12V, 15V, 24V



Dual Output



Triple Output

