

# Support Post (Metric)

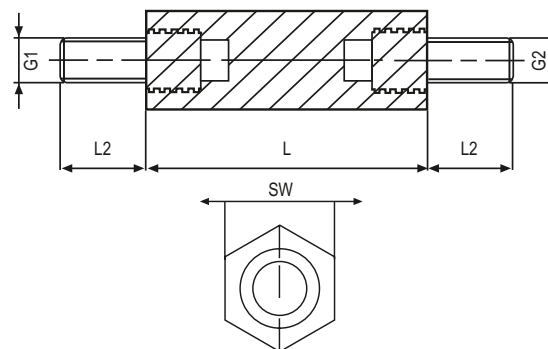
## Spacer Bolts DAA

[ Polyamide, brass thread ]



### Spacer bolts

<b>Type</b>	hexagonal
<b>Styles</b>	external / external without undercut DIN 76
<b>Material</b>	Body: Polyamide 6.6 / DMS 818 Thread: Brass blank / DMS 101
<b>Colour</b>	natural
<b>Standard Pack</b>	from 100 pcs



Contact resistance:  $10^{12}$  Ohm/cm

Dielectric strength: 50 kV/mm

Tolerance for length dimensions: +/- 0,2 mm

Order No.	SW (hexagonal)	Thread	Lengths (L) in mm increments
418139 x (length)	SW 13	M6	25-100
4181510 x	SW 15	M8	25-100

**Note:** The pull-out strength and torques may vary depending on application and ambient influences (e.g. temperature, air humidity, etc.). for critical applications please carry out trials. DREMEC GmbH does not assume any liability for the specified strength values.

SW: width across flats

## Strength / resistance values

### Thread lengths [mm]

G1=G2	L2 (mm)
M6	12
M8	14

### Torques [Nm]

SW 13	M6	12,0
SW 15	M8	18,0

### Pull-out torques [N]

SW 13	M6	1000
SW 15	M8	1600