

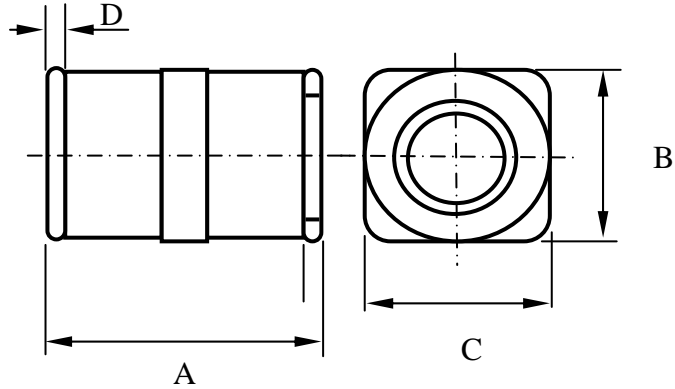
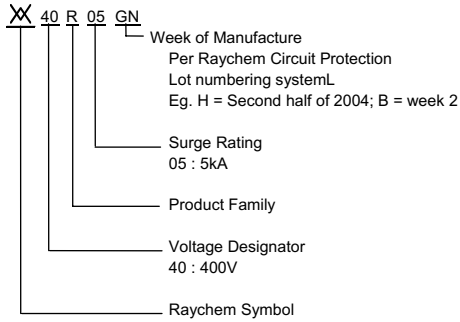
**Gas Discharge Tube**  
**Over-Voltage Protection Device**

**PRODUCT: GTCS35-401M-R05**

DOCUMENT: SCD  
 PCN:  
 REV LETTER: 1  
 REV DATE: May 3, 2007  
 PAGE NO.: 1 OF 1

**Specification Status: Draft**

**Marking:**



**TABLE I. DIMENSIONS**

	A		B		C		D
	Min	Max	Min	Max	Min	Max	Typ
mm:	7.4	7.8	4.9	5.1	4.9	5.1	0.4
in*:	0.29	0.31	0.19	0.20	0.19	0.20	0.02

\*Rounded off approximation

**TABLE II. ELECTRICAL CHARACTERISTICS**

	DC Sparkover Voltage (A-E) (B-E)	Impulse Sparkover Voltage (A-E) (B-E)	Insulation Resistance	Capacitance	Impulse Discharge Current 8/20 $\mu$ s (A+B-E)	AC Discharge Current, 50 Hz (A+B-E)
Part Number	@ 100V/s	@1kV / $\mu$ s	@100 V <sub>DC</sub>	@ 1MHz	Repeat 10 times (5 times, each polarity)	Repeat 10 times 1s
GTCS35-401M-R05	400 $\pm$ 20%	<1000V	$\geq$ 1,000M $\Omega$	<1pF	5kA	5A

**General Characteristics**

No Radioactive Materials  
 Storage temperature: -40°C ... +85°C  
 Operating temperature: -40°C ... +85°C

**Materials Information**

**RoHS Compliant**

Directive 2002/95/EC  
 Compliant

**ELV Compliant**

Directive 2000/53/EC  
 Compliant

Precedence:  
 Effectivity:  
 CAUTION:

This specification takes precedence over documents referenced herein.  
 Reference documents shall be the issue in effect on the date of invitation for bid.  
 Operation beyond the rated voltage or current may result in rupture, electrical arcing or fla