

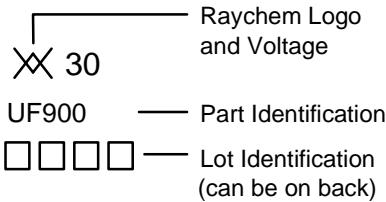
**Specification Status: RELEASED**

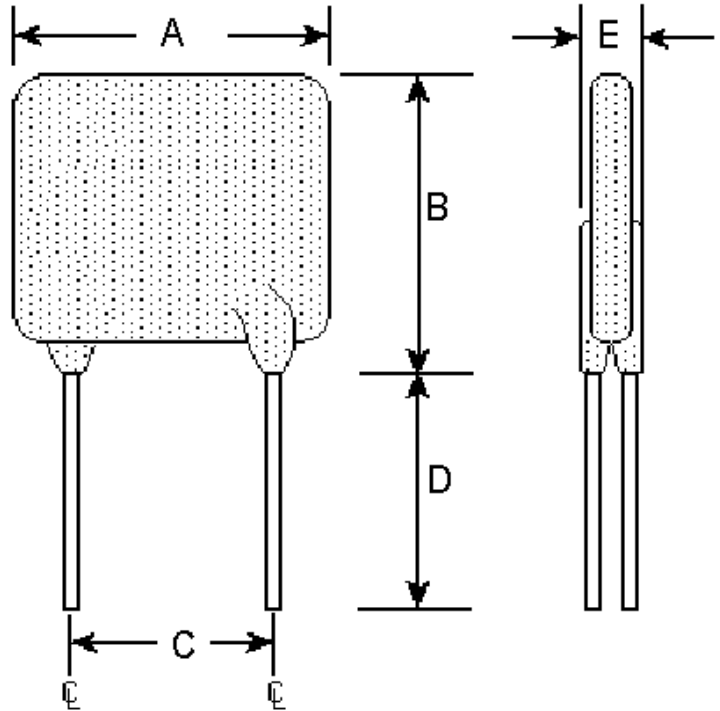
**Maximum Electrical Rating at 20°C**

**30 V<sub>DC</sub> / 100 A<sub>DC</sub>**  
**30 V<sub>AC</sub> / 70 A<sub>RMS</sub>**

Insulating Material:  
 Cured, Flame Retardant Epoxy Polymer  
 meets UL94 V-0 Requirements

Lead Material:  
 20 AWG Tin Plated Copper

Marking:  




**TABLE I. DIMENSIONS:**

	A		B		C		D		E	
	MIN	MAX	MIN	MAX	MIN	MAX	MIN	MAX	MIN	MAX
mm:	--	24.1	--	29.0	9.4	10.9	7.6	--	--	3.0
in*:	--	(0.95)	--	(1.14)	(0.37)	(0.43)	(0.30)	--	--	(0.12)

\*Rounded off approximation

**TABLE II. PERFORMANCE RATINGS:**

I HOLD	CURRENT RATINGS		TIME TO TRIP	RESISTANCE		ONE-HOUR POST-TRIP RESISTANCE STANDARD TRIP	NOMINAL TRIPPED POWER DISSIPATION
AMPS 20°C HOLD	AMPS AT 20°C HOLD	AMPS AT 20°C TRIP	SECONDS AT 20°C, 45.0A MAX	OHMS AT 20°C MIN	OHMS AT 20°C MAX	OHMS AT 20°C MAX	WATTS AT 20°C
9.00	9.00	18.00	20.0	0.005	0.01	0.02	4.2

Recognitions: UL, CSA, TUV  
 Reference Documents: PS300  
 Precedence: This specification takes precedence over documents referenced herein.  
 Effectivity: Reference documents shall be the issue in effect on the date of invitation for bid.  
 CAUTION: Operation beyond the rated voltage or current may result in rupture, electrical arcing or flame.